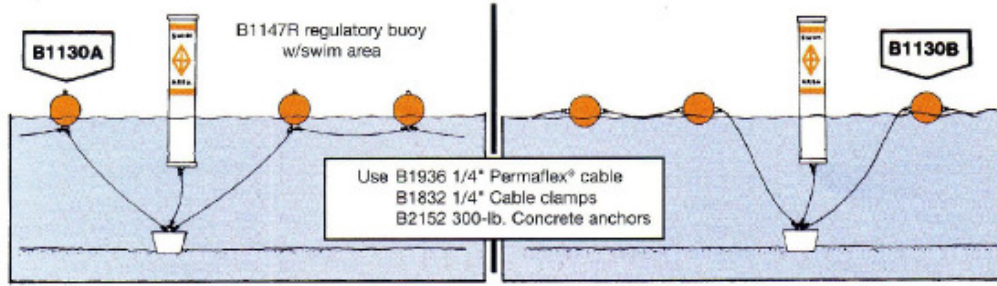




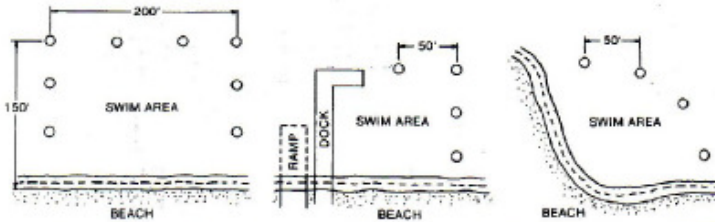
Application and Mooring Suggestions

Suggestions For Using B1130 Floats with B1147R Buoys in Swim Areas
 Also see chain, cable, hardware and anchor information, page 17.

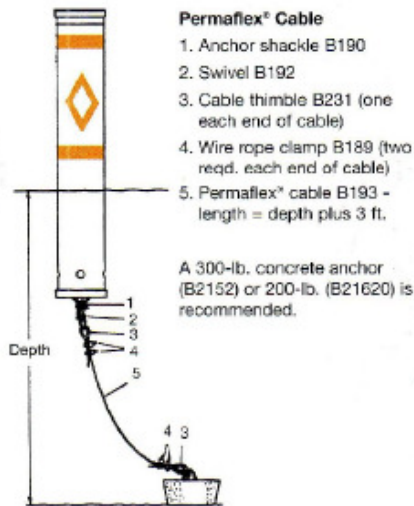
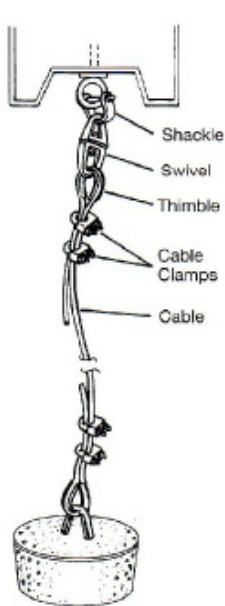


Note: The design and selection of a mooring system should be determined by a qualified professional engineer who is familiar with the specific application and local conditions. The illustrations shown are provided for informational purposes and are not intended to be suggested designs. The company assumes no responsibility for any mooring system based upon these illustrations.

Layout Suggestions For Using B1147R Buoys In Swim Areas



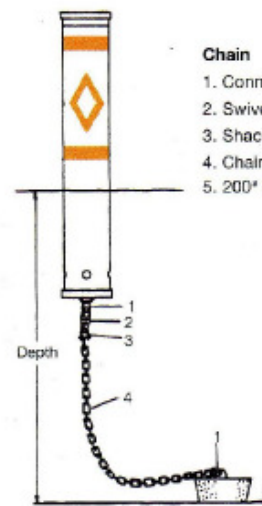
Installation Suggestions for B1147R or B961R Buoys With Anchors



- Permaflex® Cable**
1. Anchor shackle B190
 2. Swivel B192
 3. Cable thimble B231 (one each end of cable)
 4. Wire rope clamp B189 (two reqd. each end of cable)
 5. Permaflex® cable B193 - length = depth plus 3 ft.

A 300-lb. concrete anchor (B2152) or 200-lb. (B21620) is recommended.

Permaflex® Cable		
SIZE (IN.)	PART NO.	Max. Length 1147 Type Buoys will Support
3/16"	B1934	100'
1/4"	B1936	75'
5/16"	B1931	45'
15/32"	B1933	18'



- Chain**
1. Connecting link B1891
 2. Swivel B1921
 3. Shackle B1900
 4. Chain - B1828
 5. 200' Concrete anchor B21620

Straight Link Chain		
SIZE (IN.)	PART NO.	Max. Length 1147 Type Buoys will Support
1/4"	B1828	12'

For cable, chain and hardware, see page 17.