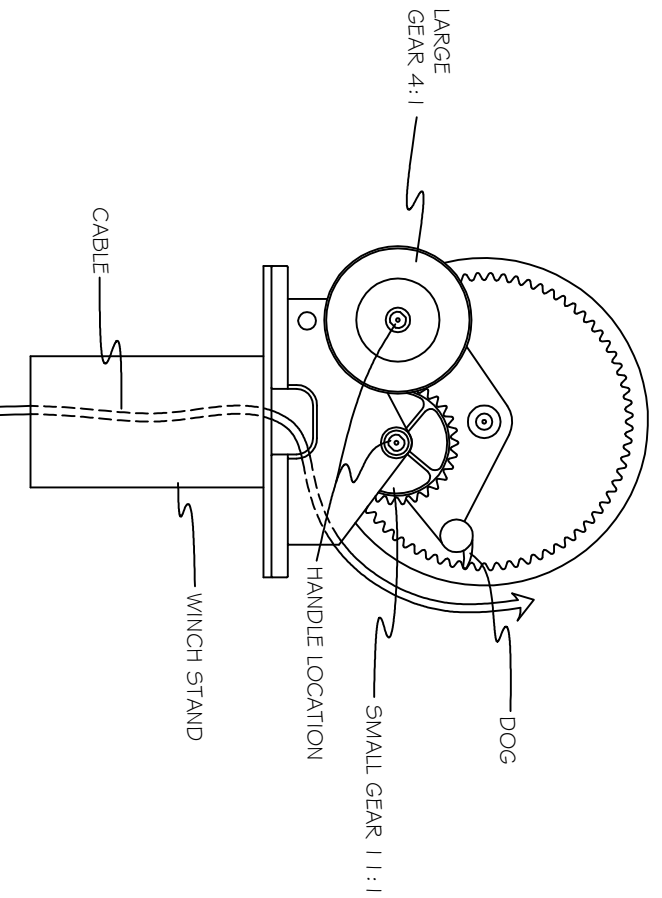
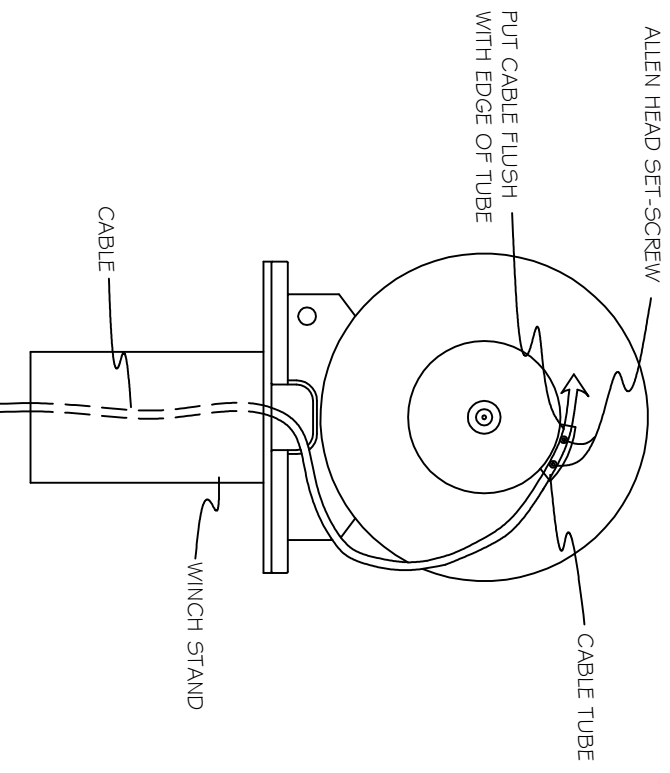
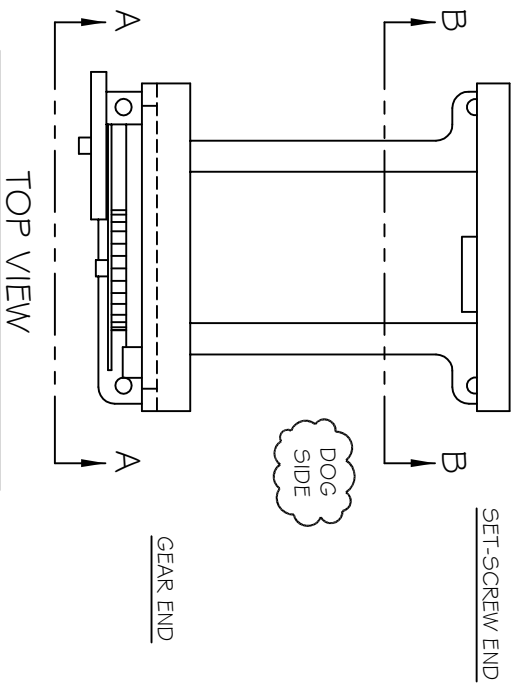


DIRECTIONS:

1. Loosen allen set-screws enough that the tube receiving cable is clear.
2. Run cable feed into anchor corner, up threw winch stand, then around the dog-side of the winch.
3. Insert cable into the cable tube from the dog-side of the winch. Cable should be flush or a little less than flush with the opposite end of the cable tube.
4. Tighten allen set-screw on cable.
5. Spool cable onto winch.



SECTION AA



SECTION BB



1613 East Terra Lane, O'Fallon, MO 63366 Phone 1-636-272-4300 Fax 1-636-272-4304 www.tigerdocks.com

CLIENT: **DETAIL DRAWING** PROJECT: **MARINE WINCH - CABLE FEED** DRAWING#: **06-D009** DATE DRAWN BY: **11/20/06 TMW** APPROVED/DAT: